

# FEKA 900

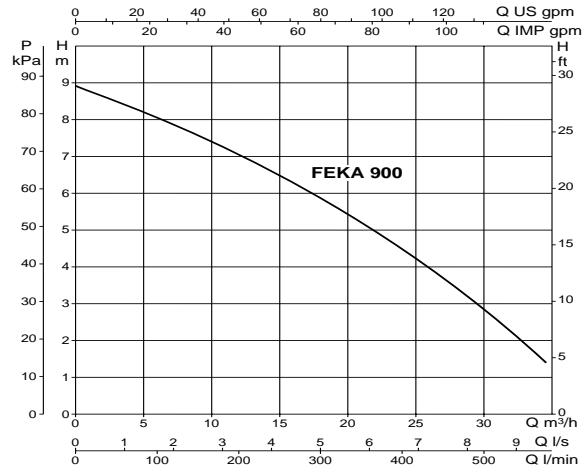
## STAINLESS STEEL SUBMERSIBLE PUMP



Pump body, seal holder cover, filter and filter cover, motor casing, outer casing with handle, cable compartment cover in **AISI 304 stainless steel**.  
 Driving shaft in **AISI 316 stainless steel**. **Vortex back flowing impeller in micro cast AISI 304 steel**. Handle coated with insulating rubber.  
**Double mechanical seal** with oil chamber interposed, carbon/alumina on motor side and silicon/silicon carbide on pump side.  
**Dry motor**, asynchronous, watertight, cooled by the pumped liquid itself.  
 Standard thermal protection in the winding.  
 Capacitor permanently on in the single-phase version.  
 10 metres of H07RN-F power cables with electric plug are supplied as a standard feature. All models can be supplied either with or without float.

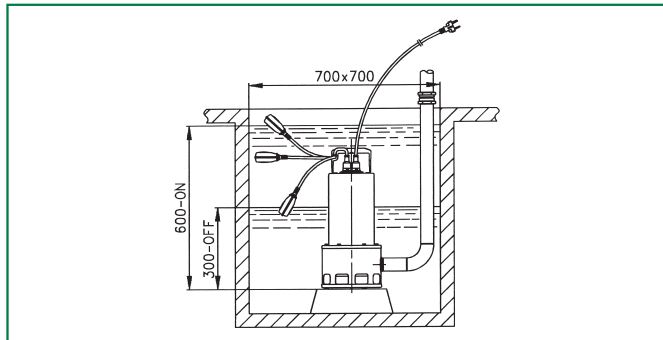
**Operating range:** from 3 to 35 m<sup>3</sup>/h with head up to 9 metres  
**Liquid temperature range:** from 0°C to +50°C  
 from 0°C to +35°C for domestic use  
**Pumped liquid characteristics:** sewage water and waste water in general, not aggressive.  
**Maximum working temperature:** + 40°C with the motor out of the water  
**Free passage of solids:** 50 mm  
**Maximum immersion depth:** 10 metres  
**Protection level:** IP 68  
**Insulation class:** F  
**Installation:** fixed or portable, in a vertical position

### ELECTRICAL AND HYDRAULIC DATA

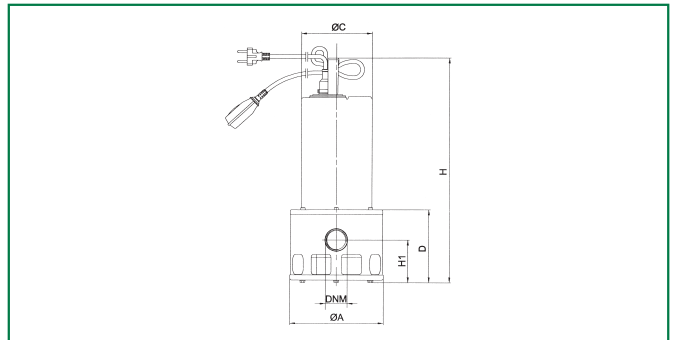


| MODEL      | ELECTRICAL DATA  |                 |                        |      |                     | HYDRAULIC DATA     |     |                        |   |     |     |    |     |     |     |     |
|------------|------------------|-----------------|------------------------|------|---------------------|--------------------|-----|------------------------|---|-----|-----|----|-----|-----|-----|-----|
|            | VOLTAGE<br>50 Hz | P1<br>MAX<br>kW | P2<br>NOMINAL<br>kW HP |      | I <sub>n</sub><br>A | CAPACITOR<br>μF Vc |     | Q<br>m <sup>3</sup> /h | 0 | 3   | 6   | 12 | 18  | 24  | 30  | 35  |
| FEKA 900 M | 1x220-240 V ~    | 1,39            | 1                      | 1,36 | 6,2                 | 25                 | 450 | H                      | 9 | 8,5 | 8,1 | 7  | 5,9 | 4,6 | 2,8 | 1,4 |
| FEKA 900 T | 3x400 V ~        | 1,38            | 1                      | 1,36 | 2,5                 | -                  | -   |                        |   |     |     |    |     |     |     |     |

### INSTALLATION



### DIMENSIONS AND WEIGHTS



| MODEL    | A   | C   | D   | H   | H1  | DNM  | PACKING DIMENSIONS |     |     | VOLUME<br>m <sup>3</sup> | WEIGHT<br>Kg |
|----------|-----|-----|-----|-----|-----|------|--------------------|-----|-----|--------------------------|--------------|
|          |     |     |     |     |     |      | L/A                | L/B | H   |                          |              |
| FEKA 900 | 219 | 166 | 185 | 575 | 105 | 2" F | 248                | 279 | 612 | 0,042                    | 17,5         |